



USAV7101



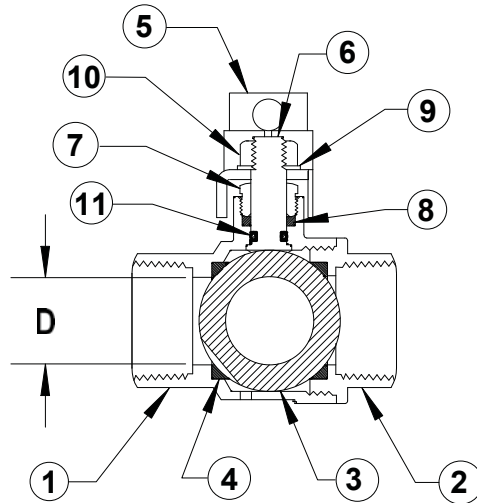
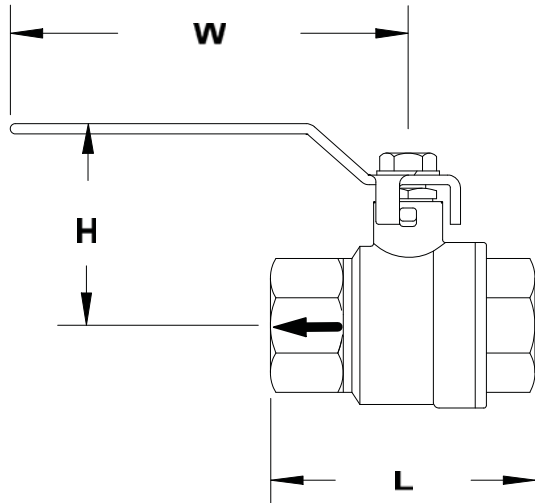
THE BOSTON VALVE Co.

A DIVISION OF BOSTON METAL PRODUCTS, LTD.
25 THURBER BLVD., UNIT #3
SMITHFIELD, RI 02917

TOLL FREE: 1-800-839-0013, TEL: 401-231-8537
FAX: 401-231-8491
WWW.BOSTONVALVE.COM

USAV7101 SERIES FORGED BRASS BALL VALVE

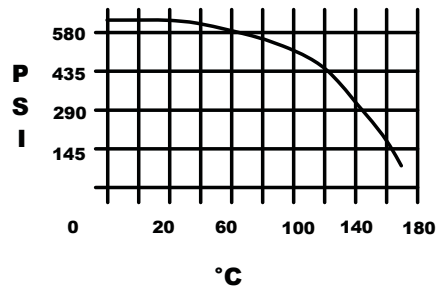
A high quality, full port, 600WOG rated, forged brass ball valve with male by female NPT end connectors.



DIMENSIONS

CAT. NO.	SIZE	L	D	H	W
USAV0507101	1/2	2.25	.59	1.77	3.65
USAV0757101	3/4	2.52	.75	2.05	4.65
USAV1007101	1	3.00	1.00	2.14	4.65
USAV1257101	1 1/4	3.44	1.25	2.84	5.62
USAV1507101	1 1/2	3.85	1.57	2.87	5.62
USAV2007101	2	4.30	1.97	3.23	5.62

PRESS. VS. TEMP. CURVE



MATERIAL LIST

NO.	PART NAME	MATERIAL
11	O-RING	BUNA-N
10	NUT	ZINC PLATED STEEL
9	LOCK WASHER	STEEL, ZINC PLATED
8	STEM PACKING	PTFE
7	GLAND NUT	BRASS
6	STEM	BRASS
5	HANDLE	STEEL, ZINC PLATED, PLASTICOATED
4	SEAT	PTFE
3	BALL	BRASS, HARD CHROME PLATED
2	END CAP	BRASS
1	BODY	BRASS