



**USA9201**  
**SST9201**



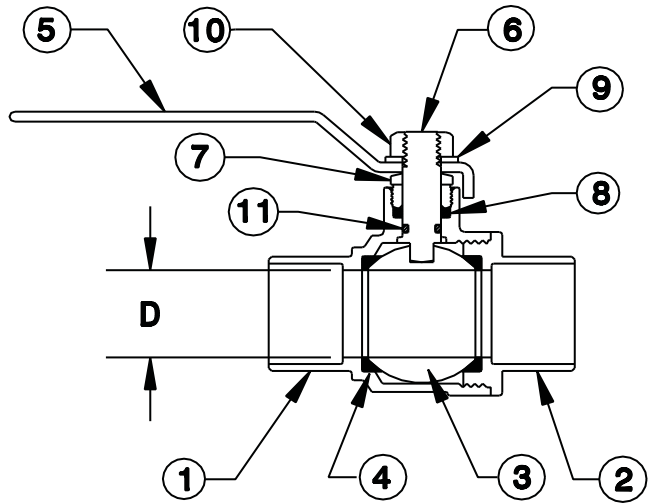
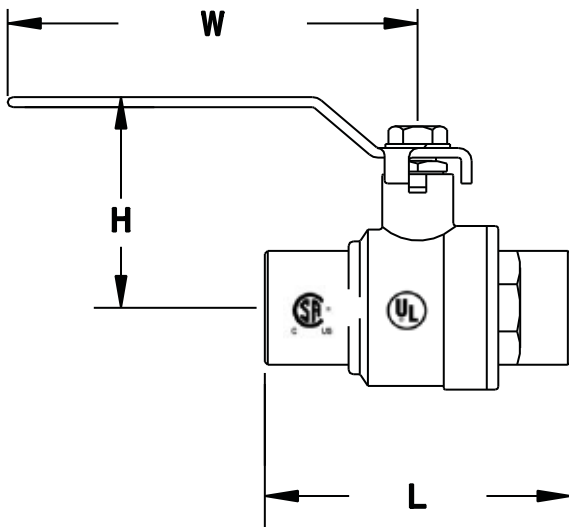
**THE BOSTON VALVE Co.**

**A DIVISION OF BOSTON METAL PRODUCTS, LTD.  
25 THURBER BLVD., UNIT #3  
SMITHFIELD, RI 02917**

**TOLL FREE: 1-800-839-0013, TEL: 401-231-8537  
FAX: 401-231-8491  
WWW.BOSTONVALVE.COM**

# USA9201 & SST9201 SERIES FORGED BRASS BALL VALVE

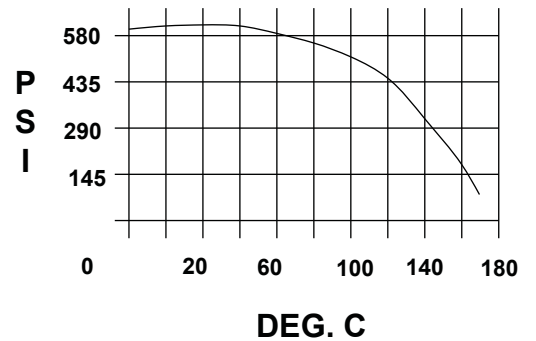
A forged brass quarter turn valve, 600 WOG/150WSP rated, two piece, full port, with solder joint end connections. Valve conforms to WW-V-35, type II, style 3 and is CSA certified to ASME A112.18.1



## DIMENSIONS

CAT. NO.	CAT. NO.	SIZE	L	D	H	W
USA0509201	SST0509201	1/2	2.21	.59	1.77	3.65
USA0759201	SST0759201	3/4	2.78	.75	2.05	4.65
USA1009201	SST1009201	1	3.27	1.00	2.14	4.65
USA1259201	SST1259201	1 1/4	4.06	1.25	2.84	5.62
USA1509201	SST1509201	1 1/2	4.30	1.57	2.87	5.62
USA2009201	SST2009201	2	5.31	1.97	3.23	5.62

PRESS. VS. TEMP. CURVE



## MATERIALS

NO.	PART NAME	USA SERIES MATERIALS	SST SERIES MATERIALS
11	O-RING	BUNA-N	BUNA-N
10	NUT	ZINC PLATED STEEL	STAINLESS STEEL
9	LOCK WASHER	ZINC PLATED STEEL	STAINLESS STEEL
8	STEM PACKING	PTFE	PTFE
7	GLAND NUT	BRASS	BRASS
6	STEM	BRASS	TYPE 304 SST
5	HANDLE	ZINC PLATED STEEL, PLASTICOATED	STAINLESS STEEL
4	SEAT	PTFE	PTFE
3	BALL	BRASS, HARD CHROME PLATE	TYPE 304 SST
2	END CAP	BRASS	BRASS
1	BODY	BRASS	BRASS

BOSTON METAL PRODUCTS, LTD. - 25 THURBER BLVD., UNIT #3 - SMITHFIELD, RI 02917  
TOLL FREE: 1-800-839-0013, TEL: 401-231-8537, FAX: 401-231-8491  
WWW.BOSTONVALVE.COM