



USA9101
SST9101



THE BOSTON VALVE Co.

A DIVISION OF BOSTON METAL PRODUCTS, LTD.

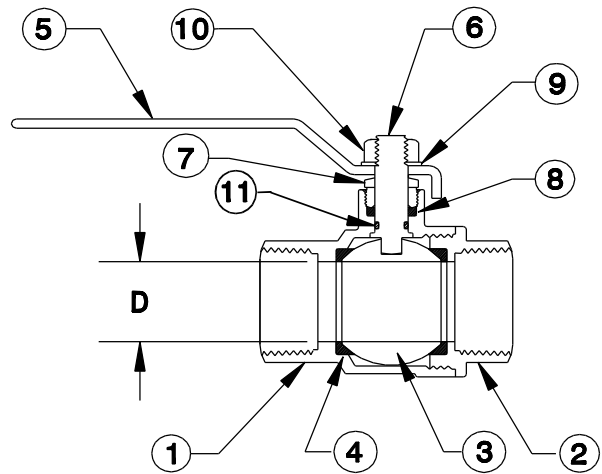
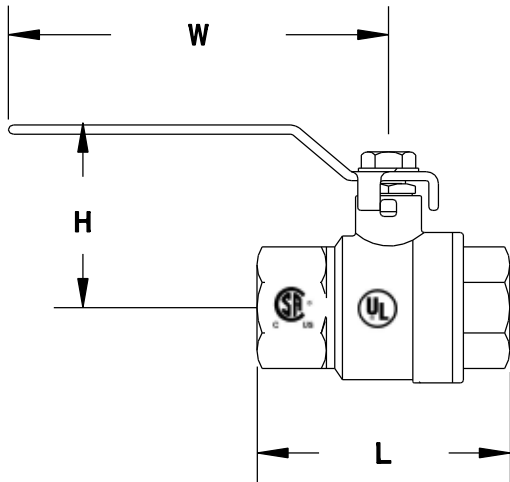
25 THURBER BLVD., UNIT #3
SMITHFIELD, RI 02917

TOLL FREE: 1-800-839-0013, TEL: 401-231-8537
FAX: 401-231-8491

WWW.BOSTONVALVE.COM

USA9101 & SST9101 SERIES FORGED BRASS BALL VALVE

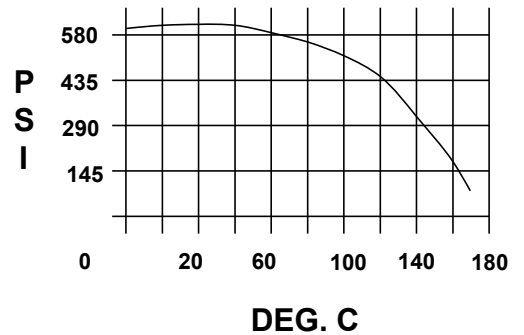
A forged brass quarter turn valve, 600 WOG / 150WSP rated, two piece, full port, with female NPT end connections. Valve conforms to WW-V-35, type II, style 3 and is CSA certified to ASME B16.33 "Manually Operated Metallic Gas Valves for use in gas piping systems up to 125 PSIG"



DIMENSIONS

CAT. NO	CAT. NO	SIZE	L	D	H	W
USA0259101	SST0259101	1/4	1.70	.39	1.71	3.65
USA0389101	SST 0389101	3/8	1.70	.39	1.71	3.65
USA0509101	SST0509101	1/2	2.25	.59	1.80	3.65
USA0759101	SST0759101	3/4	2.52	.75	2.05	4.65
USA1009101	SST1009101	1	3.00	1.00	2.14	4.65
USA1259101	SST1259101	1 1/4	3.44	1.25	2.84	5.62
USA1509101	SST1509101	1 1/2	3.85	1.57	2.87	5.62
USA2009101	SST2009101	2	4.30	1.97	3.23	5.62

PRESS. VS. TEMP. CURVE



MATERIALS

NO.	PART NAME	USA SERIES MATERIALS	SST SERIES MATERIALS
11	O-RING	BUNA-N	BUNA-N
10	NUT	ZINC PLATED STEEL	STANLESS STEEL
9	LOCK WASHER	ZINC PLATED STEEL	STANLESS STEEL
8	STEM PACKING	PTFE	PTFE
7	GLAND NUT	BRASS	BRASS
6	STEM	BRASS	TYPE 304 SST
5	HANDLE	ZINC PLTD STEEL, PLASTICOATED	STANLESS STEEL
4	SEAT	PTFE	PTFE
3	BALL	BRASS, CHROME PLTD.	TYPE 304 SST
2	END CAP	BRASS	BRASS
1	BODY	BRASS	BRASS