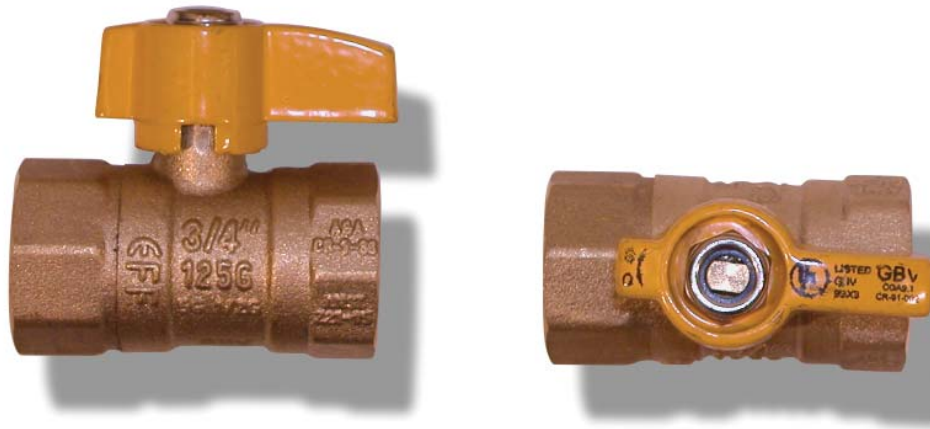




GSCT8300



THE BOSTON VALVE Co.

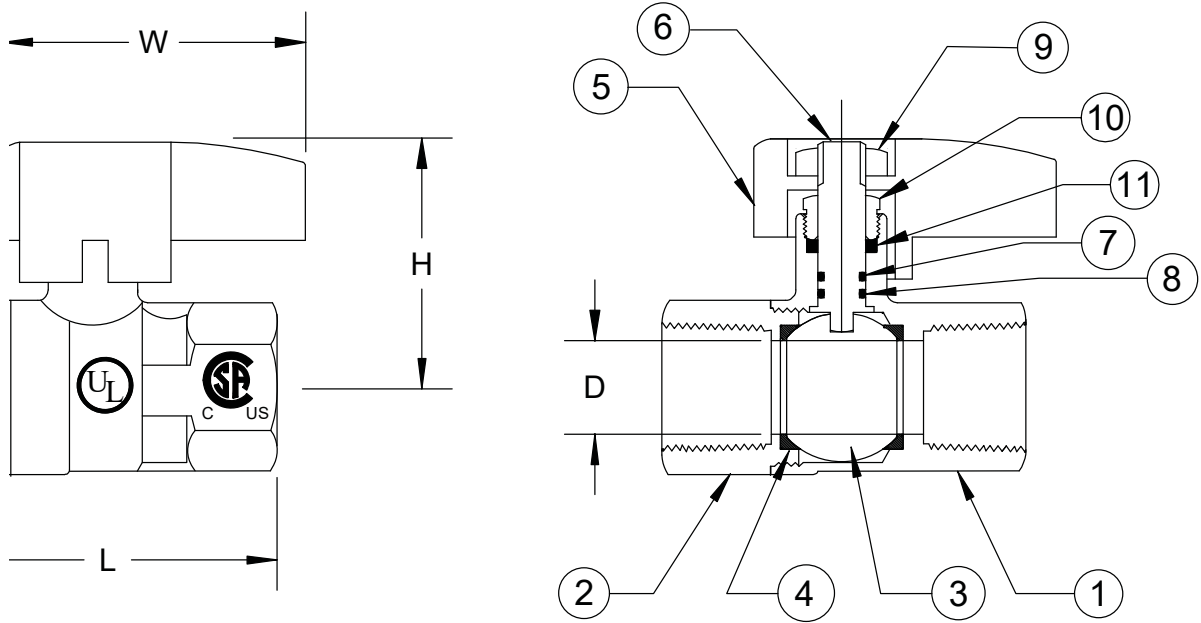
A DIVISION OF BOSTON METAL PRODUCTS, LTD.
25 THURBER BLVD., UNIT #3
SMITHFIELD, RI 02917

TOLL FREE: 1-800-839-0013, TEL: 401-231-8537
FAX: 401-231-8491
WWW.BOSTONVALVE.COM

GSCT8300 SERIES

MINI GAS SHUTOFFS

A standard port gas supply shut off with aluminum tee handle. CSA/ UL approved for 1/2 , 5 & 125 PSIG service. Certified to ASME B16.33, ANSI Z21-15, AGA 3-88, and CGA 3.16-M88, CR-91-002.



DIMENSIONS

CAT. NO.	SIZE	L	D	H	W
GSCT0508302	1/2	2.16	.47	1.55	2
GSCT0758302	3/4	2.41	.59	1.68	2
GSCT1008302	1	2.93	.79	1.82	2

MATERIALS

NO.	PART NAME	MATERIAL
11	PACKING	PTFE
10	GLAND NUT	BRASS
9	NUT	STEEL, ZINC PLATED
8	O-RING	VITON
7	O-RING	NBR
6	STEM	BRASS
5	HANDLE	ALUMINUM, PAINTED YELLOW
4	SEAT	PTFE
3	BALL	BRASS, HARD CHROME PLTD.
2	END CAP	BRASS
1	BODY	BRASS