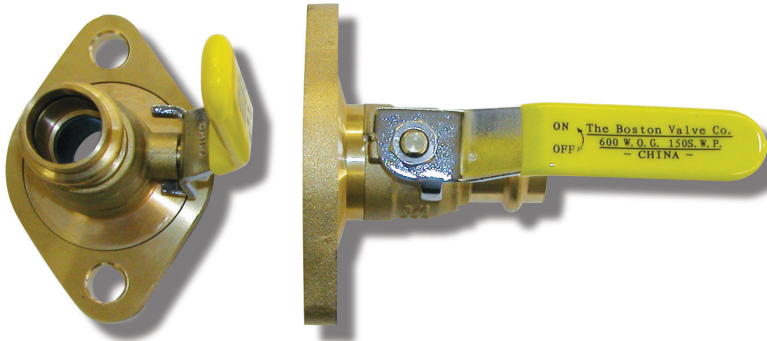
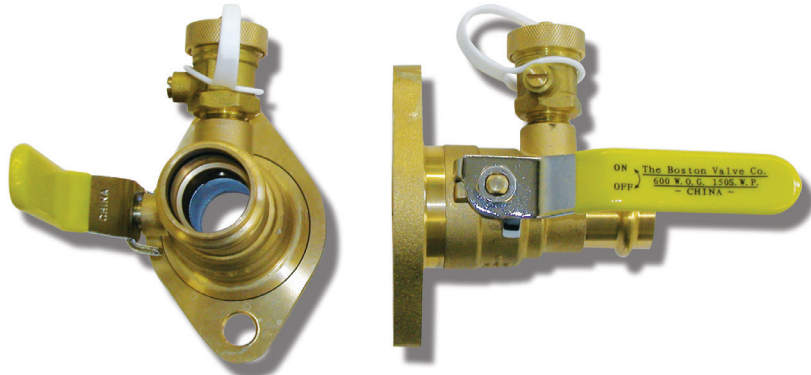




FLG537 SERIES



FPS37 SERIES



THE BOSTON VALVE Co.

A DIVISION OF BOSTON METAL PRODUCTS, LTD.

**25 THURBER BLVD., UNIT #3
SMITHFIELD, RI 02917**

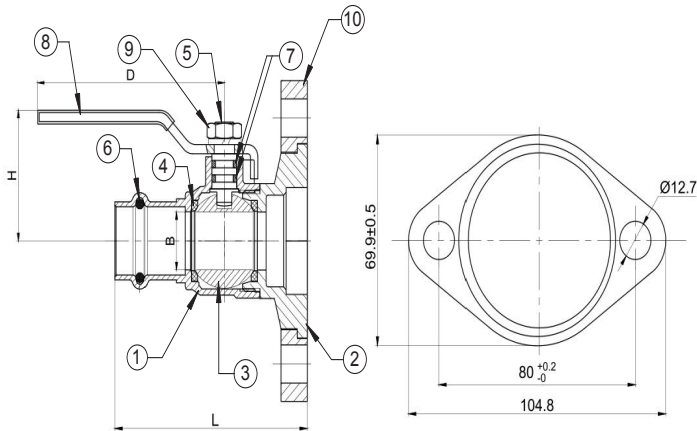
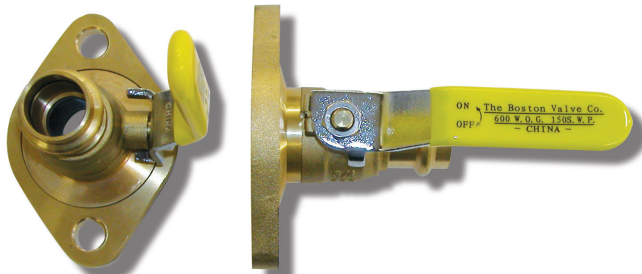
TOLL FREE: 1-800-839-0013, TEL: 401-231-8537

FAX: 401-231-8491

WWW.BOSTONVALVE.COM

FLG537 SERIES FLANGED CIRCULATOR VALVE

A flanged by NPT or copper, circulator isolation valve with 3/4" hose connection and purge stop valve.



MATERIAL LIST

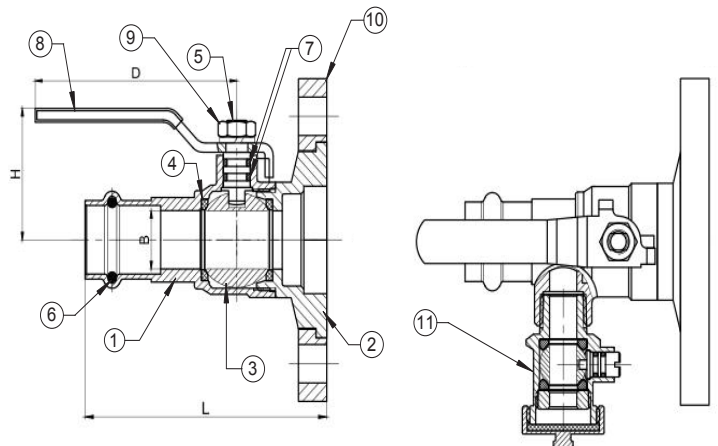
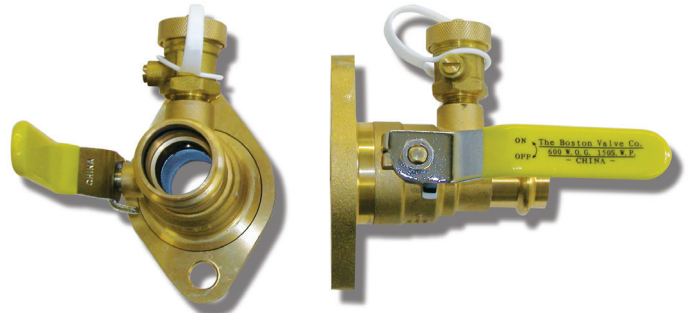
NO.	PART NAME	MATERIALS
10	FLANGE	C37700
9	HANDLE NUT	CARBON STEEL
8	HANDLE	CARBON STEEL
7	STEM PACKING	PTFE
6	O-RING	EPDM
5	STEM	C37700
4	SEAT	PTFE
3	BALL	C37700
2	BONNET	C37700
1	BODY	C37700

DIMENSIONS

CAT. NO.	D	L	H	B
FLG075537	3.31	3.03	1.63	.75
FLG100537	3.31	3.20	1.78	.96
FLG125537	4.13	3.54	2.36	1.22

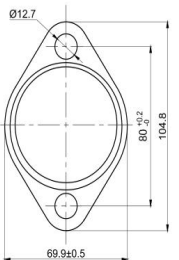
FPS37 SERIES FLANGED CIRCULATOR PURGE VALVE

A flanged by NPT or copper, circulator isolation valve with 3/4" hose connection and purge stop valve.



MATERIAL LIST

NO.	PART NAME	MATERIALS
11	DRAIN VALVE	C37700
10	FLANGE	C37700
9	HANDLE NUT	CARBON STEEL
8	HANDLE	CARBON STEEL
7	STEM PACKING	PTFE
6	O-RING	EPDM
5	STEM	C37700
4	SEAT	PTFE
3	BALL	C37700
2	BONNET	C37700
1	BODY	C37700



DIMENSIONS

CAT. NO.	D	L	H	B
FPS075537	3.31	3.52	1.63	.75
FPS100537	3.31	3.78	1.78	.94
FPS125537	4.13	4.06	2.36	1.22