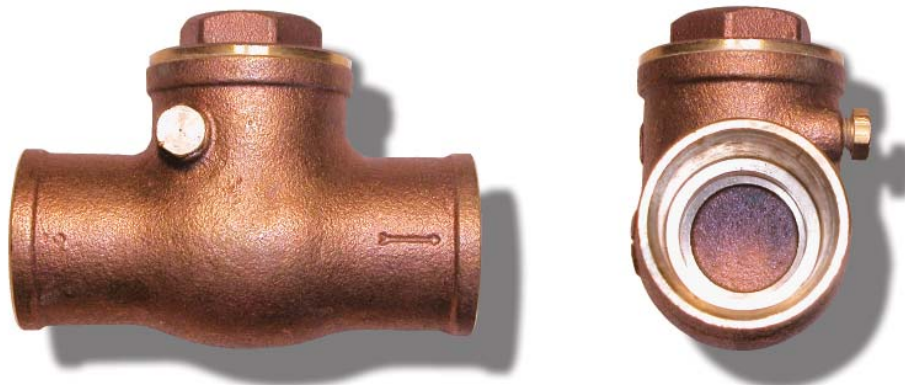




CHV4200 CHV4200LF



THE BOSTON VALVE Co.

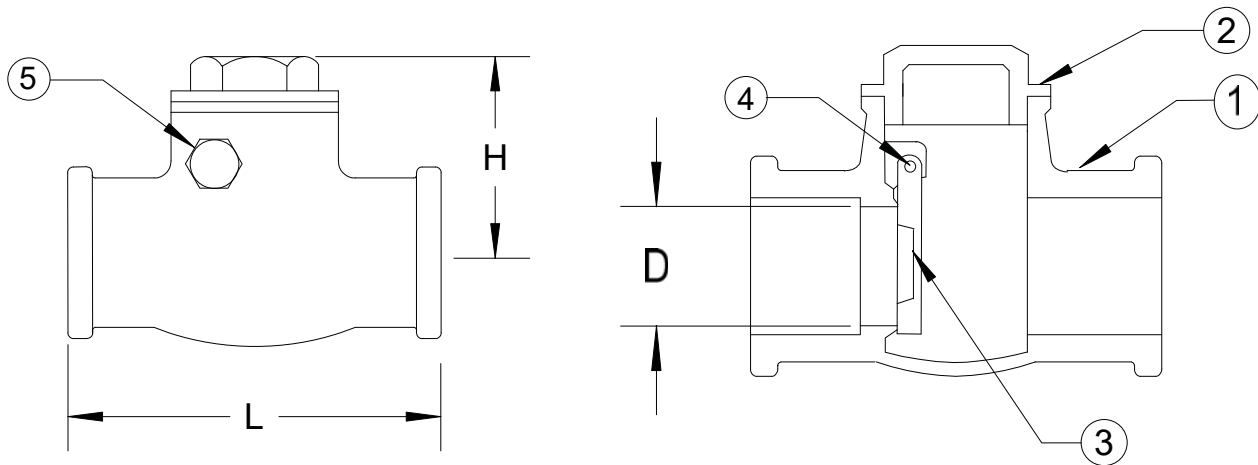
A DIVISION OF BOSTON METAL PRODUCTS, LTD.
25 THURBER BLVD., UNIT #3
SMITHFIELD, RI 02917

TOLL FREE: 1-800-839-0013, TEL: 401-231-8537
FAX: 401-231-8491
WWW.BOSTONVALVE.COM

CHV4200 - CHV4200LF SERIES

SOLDER SWING CHECK VALVE

A high quality, cast brass, straight pattern, swing check valve with screw cap and metal disk. Rated at 200 WOG.



DIMENSIONS

CAT. NO.	CAT. NO.	SIZE	L	D	H
CHV0504200	CHV0504200LF	1/2	2.48	.59	1.31
CHV0754200	CHV0754200LF	3/4	2.99	.82	1.53
CHV1004200	CHV1004200LF	1	3.30	1.06	1.75
CHV1254200	CHV1254200LF	1 1/4	3.87	1.29	2.00
CHV1504200	CHV1504200LF	1 1/2	4.33	1.55	2.22
CHV2004200	CHV2004200LF	2	5.41	2.04	2.57
CHV2504200	CHV2504200LF	2 1/2	4.17	1.96	2.99
CHV3004200	CHV3004200LF	3	4.98	2.44	3.22
CHV4004200	CHV4004200LF	4	6.25	3.26	4.05

MATERIAL LIST

NO.	PART NAME	CVH MATERIAL	CVHLF MATERIAL
5	LOCK BOLT	BRASS (ASTM-UNS B16 C36000)	BRASS C46500
4	PIN	BRASS (ASTM-UNS B124 C37700)	BRASS C46500
3	DISC	BRASS (ASTM-UNS B584 C85710)	BRASS C46500
2	CAP	BRASS (ASTM-UNS B584 C85710)	BRASS C46500
1	BODY	BRASS (ASTM-UNS B584 C85710)	BRASS C46500