



BV2000 LF2000



THE BOSTON VALVE Co.

A DIVISION OF BOSTON METAL PRODUCTS, LTD.
25 THURBER BLVD., UNIT #3
SMITHFIELD, RI 02917

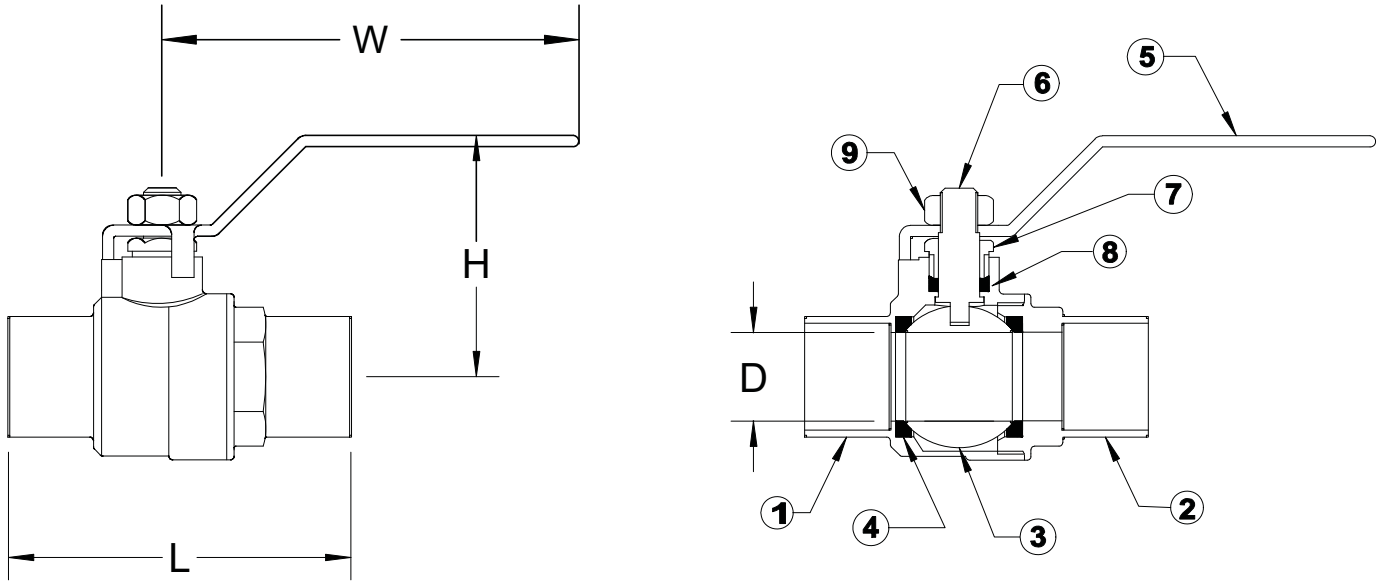
TOLL FREE: 1-800-839-0013, TEL: 401-231-8537
FAX: 401-231-8491
WWW.BOSTONVALVE.COM

BV2000* & LF2000** SERIES

ECONOMY BALL VALVE

* A good quality, full port, imported ball valve with solder joint end connections. Rated at 600 WOG.

** A good quality, CSA approved, full port, imported ball valve with solder joint end connections. Rated at 600 WOG.



DIMENSIONS

CAT. NO.	CAT. NO.	SIZE	L	D	H	W
BV0502000	LF0502000	1/2	2.31	.55	1.81	3.74
BV0752000	LF0752000	3/4	3.00	.75	2.00	4.33
BV1002000	LF1002000	1	3.62	.95	2.25	4.33
BV1252000	LF1252000	1 1/4	4.08	1.23	2.80	5.31
BV1502000	LF1502000	1 1/2	4.67	1.50	3.00	5.31
BV2002000	LF2002000	2	5.71	1.94	3.37	6.25

MATERIALS

NO.	PART NAME	BV SERIES MATERIAL	LF SERIES MATERIAL
9	NUT	STEEL, ZINC PLATED	STEEL, ZINC PLATED
8	STEM PACKING	PTFE	PTFE
7	GLAND NUT	BRASS	BRASS CW617N
6	STEM	BRASS	BRASS CW617N
5	HANDLE	ZINC PLATED STEEL, PLASTICOATED	CHROME PLATED STEEL, PLASTIC
4	SEAT	PTFE	PTFE
3	BALL	BRASS, HARD CHROME PLTD.	BRASS C64500, CHROME PLATED
2	END CAP	BRASS	BRASS C64500
1	BODY	BRASS	BRASS C64500