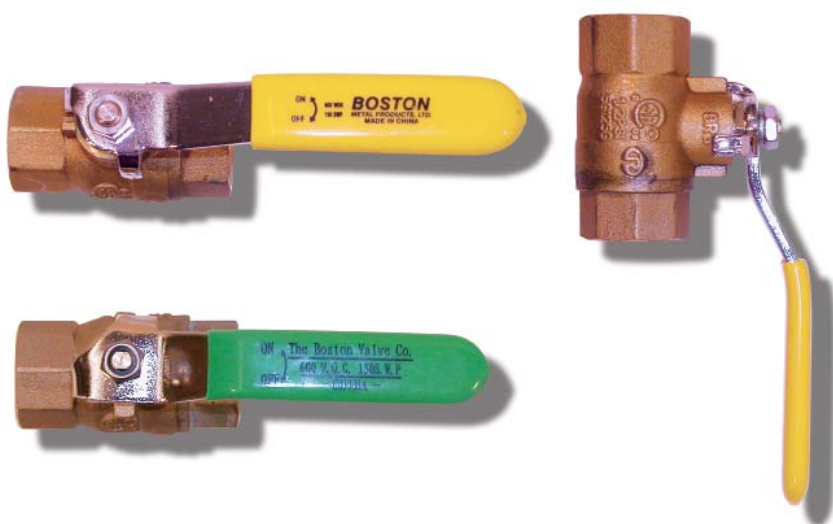




BV1000
LF1000



THE BOSTON VALVE Co.

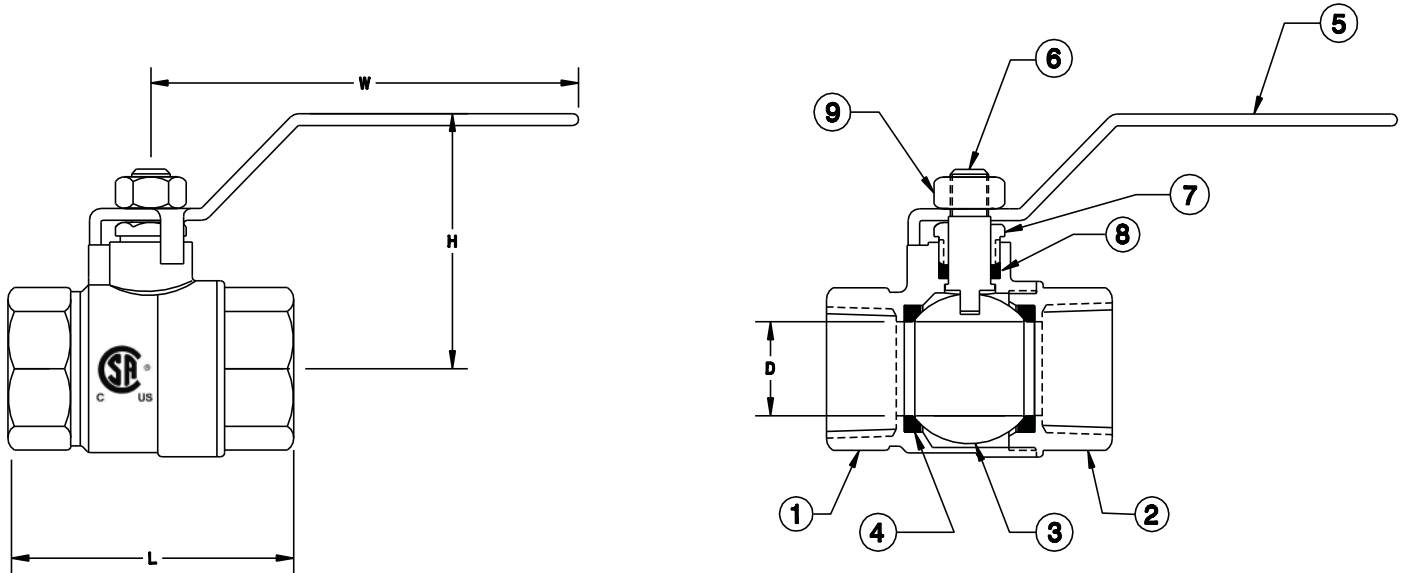
A DIVISION OF BOSTON METAL PRODUCTS, LTD.
25 THURBER BLVD., UNIT #3
SMITHFIELD, RI 02917

TOLL FREE: 1-800-839-0013, TEL: 401-231-8537
FAX: 401-231-8491
WWW.BOSTONVALVE.COM

BV1000 & LF1000 SERIES

ECONOMY BALL VALVE

A good quality, CSA approved, full port, imported ball valve with NPT end connections. Rated at 600 WOG.



DIMENSIONS

CAT. NO.	CAT. NO.	SIZE	L	D	H	W
BV0501000	LF0501000	1/2	2.21	.55	1.81	3.74
BV0751000	LF0751000	3/4	2.40	.75	2.00	4.33
BV1001000	LF1001000	1	2.93	.95	2.25	4.33
BV1251000	LF1251000	1 1/4	3.23	1.23	2.80	5.31
BV1501000	LF1501000	1 1/2	3.70	1.50	3.00	5.31
BV2001000	LF2001000	2	4.33	1.94	3.37	6.25

MATERIALS

NO.	PART NAME	BV SERIES MATERIALS	LF SERIES MATERIALS
9	NUT	BRASS	STEEL, ZINC PLATED
8	STEM PACKING	PTFE	PTFE
7	GLAND NUT	BRASS	BRASS CW617N
6	STEM	BRASS	BRASS CW617N
5	HANDLE	ZINC PLATED STEEL, PLASTICOATED	CHROME PLATED STEEL, PLASTIC
4	SEAT	PTFE	PTFE
3	BALL	BRASS, HARD CHROME PLTD.	BRASS C46500 CHROME PLATED
2	END CAP	BRASS	BRASS C46500
1	BODY	BRASS	BRASS C46500