



BMS0001 BMS0001LF



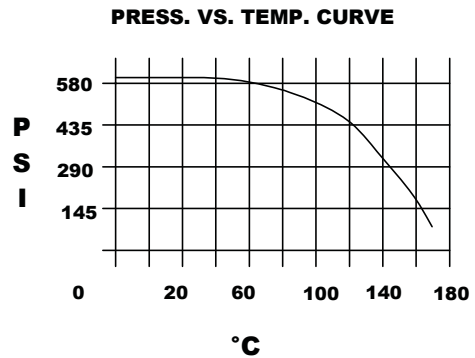
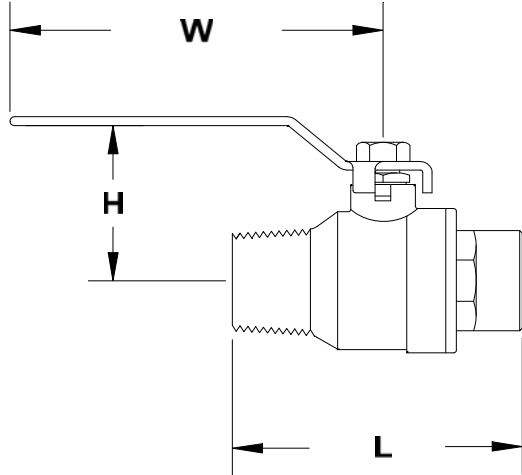
THE BOSTON VALVE Co.

A DIVISION OF BOSTON METAL PRODUCTS, LTD.
25 THURBER BLVD., UNIT #3
SMITHFIELD, RI 02917

TOLL FREE: 1-800-839-0013, TEL: 401-231-8537
FAX: 401-231-8491
WWW.BOSTONVALVE.COM

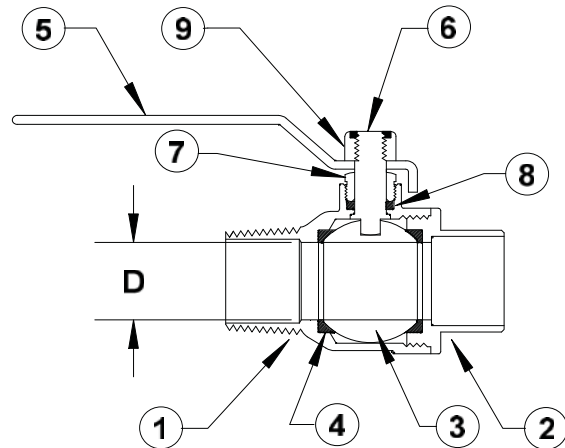
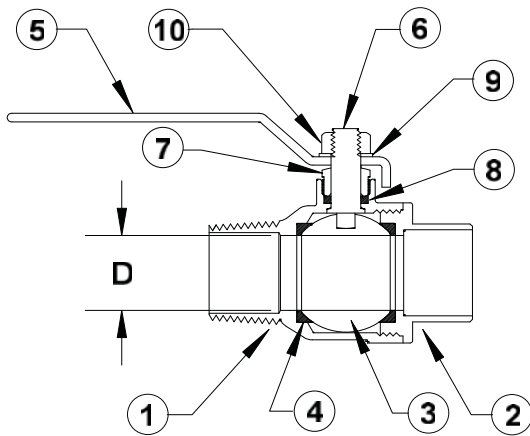
BMS0001 & BMS0001LF SERIES FORGED BRASS BALL VALVE

A male NPT by solder sweat ball valve. Typically used as a circulator or water filter shut off. Certified lead free.



DIMENSIONS

CAT. NO.	CAT. NO.	SIZE	L	D	H	W
BMS0500001	BMS0500001LF	1/2	2.20	.59	1.77	3.65
BMS0750001	BMS0750001LF	3/4	2.79	.75	2.05	4.65
BMS1000001	BMS1000001LF	1	3.37	1.00	2.14	4.65



BMS0001 SERIES MATERIAL LIST

NO.	PART NAME	MATERIAL
10	NUT	STEEL, ZINC PLATED
9	LOCK WASHER	STEEL, ZINC PLATED
8	STEM PACKING	PTFE
7	GLAND NUT	BRASS
6	STEM	BRASS
5	HANDLE	STEEL, ZINC PLATED, PLASTICOATED
4	SEAT	PTFE
3	BALL	BRASS, HARD CHROME PLATED
2	END CAP	BRASS
1	BODY	BRASS

BMS0001LF SERIES MATERIAL LIST

NO.	PART NAME	MATERIAL
9	NUT	STEEL, ZINC PLATED, NYLON
8	STEM PACKING	PTFE
7	GLAND NUT	BRASS
6	STEM	BRASS
5	HANDLE	STEEL, ZINC PLATED, PLASTICOATED
4	SEAT	PTFE
3	BALL	BRASS, HARD CHROME PLATED
2	END CAP	BRASS C46400
1	BODY	BRASS C46400